

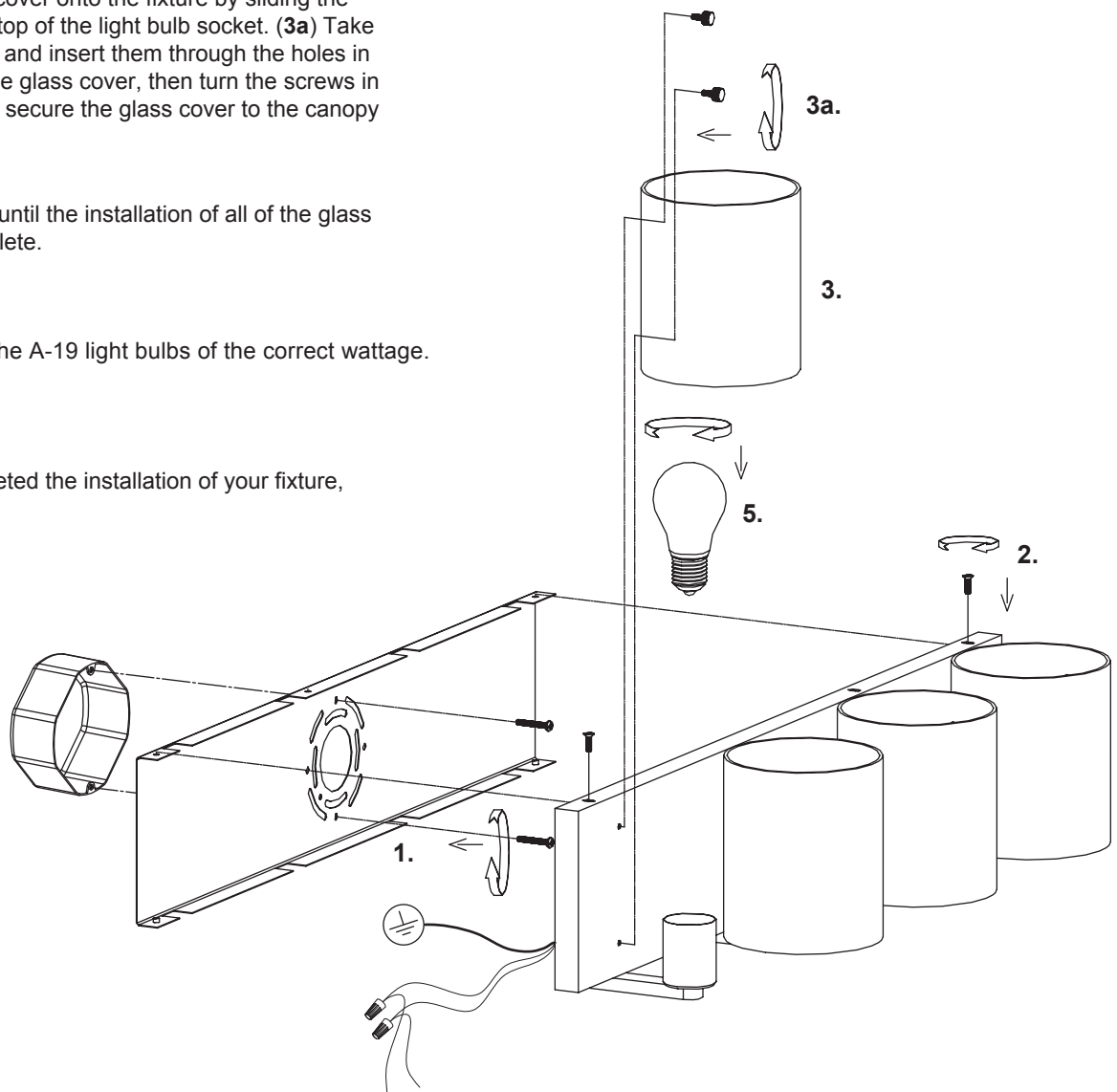
Four lamp vanity with white opal glass

1. Remove the fixture from its original packaging. Remove the canopy mounting plate from within the canopy and attach it to the electrical junction box, and wall, using the two screws provided in the hardware package.
2. Attach the canopy to the mounting plate which is attached to the electrical junction box on the wall. First attach all wiring with the provided marrets (white to white "N", black to black "L", ground to ground "G"). Push the canopy onto the mounting plate and align the four holes (two above & two below) on the canopy to the holes on the mounting plate. Once aligned, screw in the four screws provided to secure the fixture to the wall.
3. Install the glass light cover onto the fixture by sliding the glass into place over top of the light bulb socket. (3a) Take the mounting screws, and insert them through the holes in the top & bottom of the glass cover, then turn the screws in a clockwise motion to secure the glass cover to the canopy (do not over tighten).
4. Please repeat step 3 until the installation of all of the glass light covers are complete.
5. You can now install the A-19 light bulbs of the correct wattage.
6. You have now completed the installation of your fixture, please enjoy.

START FROM HERE

- Make sure power is completely off at the fuse box.
- Have your fixture installed by a qualified licensed electrician
- Prepare everything in clear area.
- Wear gloves at all times during this installation.
- Read instructions carefully before you start assembly.
- Keep this instruction sheet for future reference.

Technical Support: 1-877-452-6858



KUZCO
LIGHTING

19054 28th Avenue Surrey, BC Canada V3Z 6M3
T: 604 538 7162 TF: 1-855 85 KUZCO F: 604 538 7196
W: kuzcolighting.com