

Rectangular LED Vanity Lamp

701313
INSTALLATION SHEET

START FROM HERE

- Make sure power is completely off at the fuse box.
- Have your fixture installed by a qualified licensed electrician
- Prepare everything in a clear area.
- Wear gloves at all times during this installation.
- Read instructions carefully before you start assembly.
- Keep this instruction sheet for future reference.

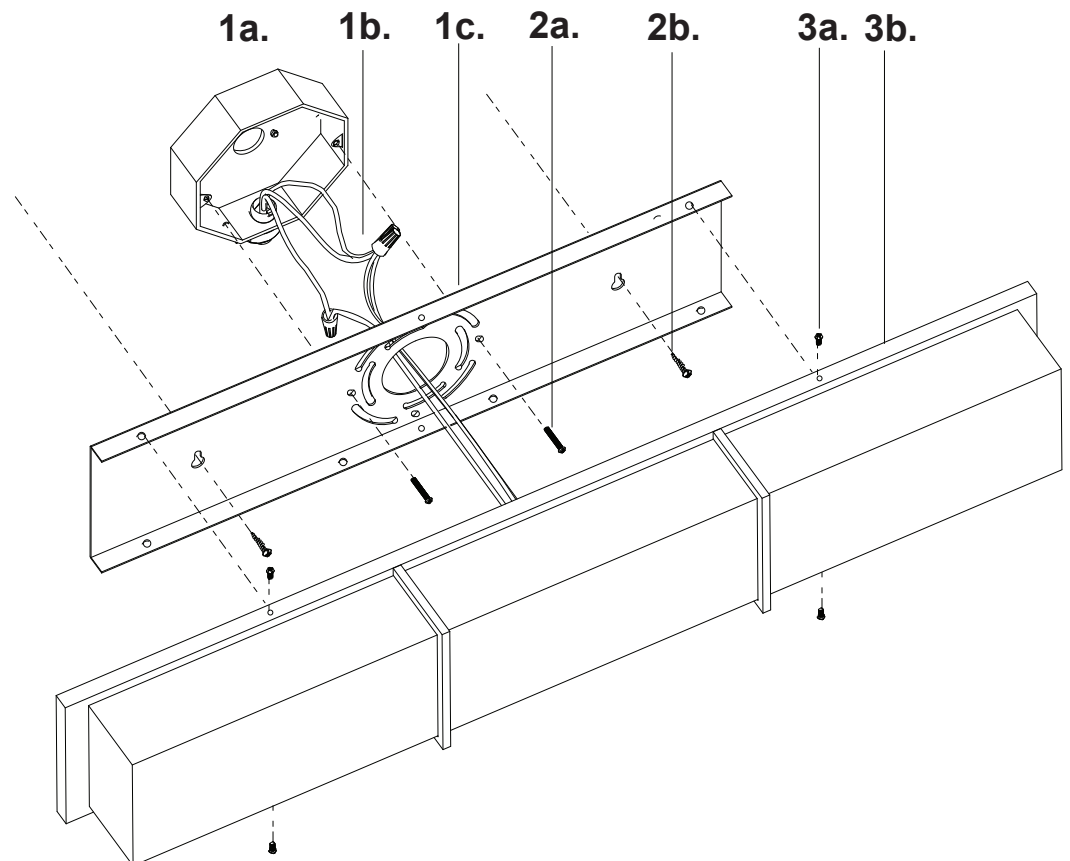
Technical Support: 1-877-452-6858

Please Note:

- All Kuzco LED fixtures come with pre-wired LED module(s).
- Unless instructed to do so, please do not touch any part of the LED module(s) as any unnecessary contact with the module could cause permanent damage.
- For dimming, an ELV (Electronic Low Voltage) type of dimmer is required.

CAUTION: CAUTION: HEAVEY FIXTURE, THE JUNCTION BOX NEEDS TO BE REINFORCED BEFORE INSTALLATION.

- 1.** Remove the fixture from its original packaging. Remove the mounting plate (**1c**) from within the canopy (**3b**) and attach it to the electrical junction box (**1a**), and wall, using the screws (**2a**) provided in the hardware package. Mount the plate (**1c**) to the wall with screws (**2b**), make sure to reinforce the wood behind the drywall.
- 2.** Attach the canopy (**3b**) to the mounting plate (**1c**), which is attached to the electrical junction box on the wall. First attach all wiring (**1b**) with the provided marrets (white to white "N", black to black "L", ground to ground "G"). Push the canopy (**3b**) onto the mounting plate (**1c**), then insert the four screws (**3a**) into the hole(s) on the top and bottom of the canopy.
- 3.** You have now completed the installation of your fixture, enjoy.



KUZCO
LIGHTING

19054 28th Avenue Surrey, BC Canada V3Z 6M3
T: 604 538 7162 TF: 1-855 85 KUZCO F: 604 538 7196
W: kuzcolighting.com
20150407