

# NORFOLK 601431-LED

WALL

PROJECT

## DESCRIPTION

LED cylinder shaped updown wall sconce with clear acrylic discs. Metal details in white, black, brushed nickel or chrome finish, and is equipped with our powerful 120V AC LED technology,



601431WH-LED  
White



601431BK-LED  
Black



601431CH-LED  
Chrome



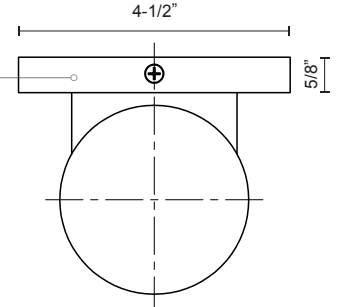
601431BN-LED  
Brushed Nickel

## SPECIFICATION DETAILS

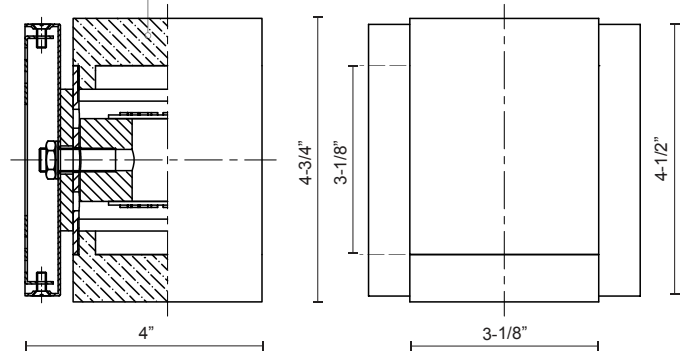
\* For custom options, consult factory for details.

<b>Fixture Dimensions</b>	W3-1/8" x H4-3/4" x E4"
<b>Light Source</b>	LED
<b>Wattage</b>	19W
<b>Total Lumens</b>	1200lm
<b>Delivered Lumens</b>	BK-705lm; BN-767lm; CH-868lm;
<b>Voltage</b>	120V
<b>Color Temperature</b>	3000K
<b>CRI (Ra)</b>	>90
<b>Optional Color Temps</b>	2700K - 5000K Available, Minimum Order Quantities Apply
<b>LED Rated Life</b>	50,000 hours
<b>Dimming</b>	100% - 10%, ELV Dimmer (Not Included)
<b>Glass Details</b>	Clear Glass
<b>Diffuser Details</b>	Frosted Glass Diffuser
<b>Location</b>	Dry
<b>Warranty</b>	5 Years
<b>Canopy Dimensions</b>	W4-1/2" x H4-1/2" x E5/8"

Metal Finish  
BK - Black  
BN - Brushed Nickel  
CH - Chrome  
WH - White



Clear  
Acrylic Disc



# KUZCO

19054 28TH AVENUE  
SURREY - BC V3Z 6M3  
CANADA

WWW.KUZCOLIGHTING.COM

COMMENT