

# Incandescent Flush Mount

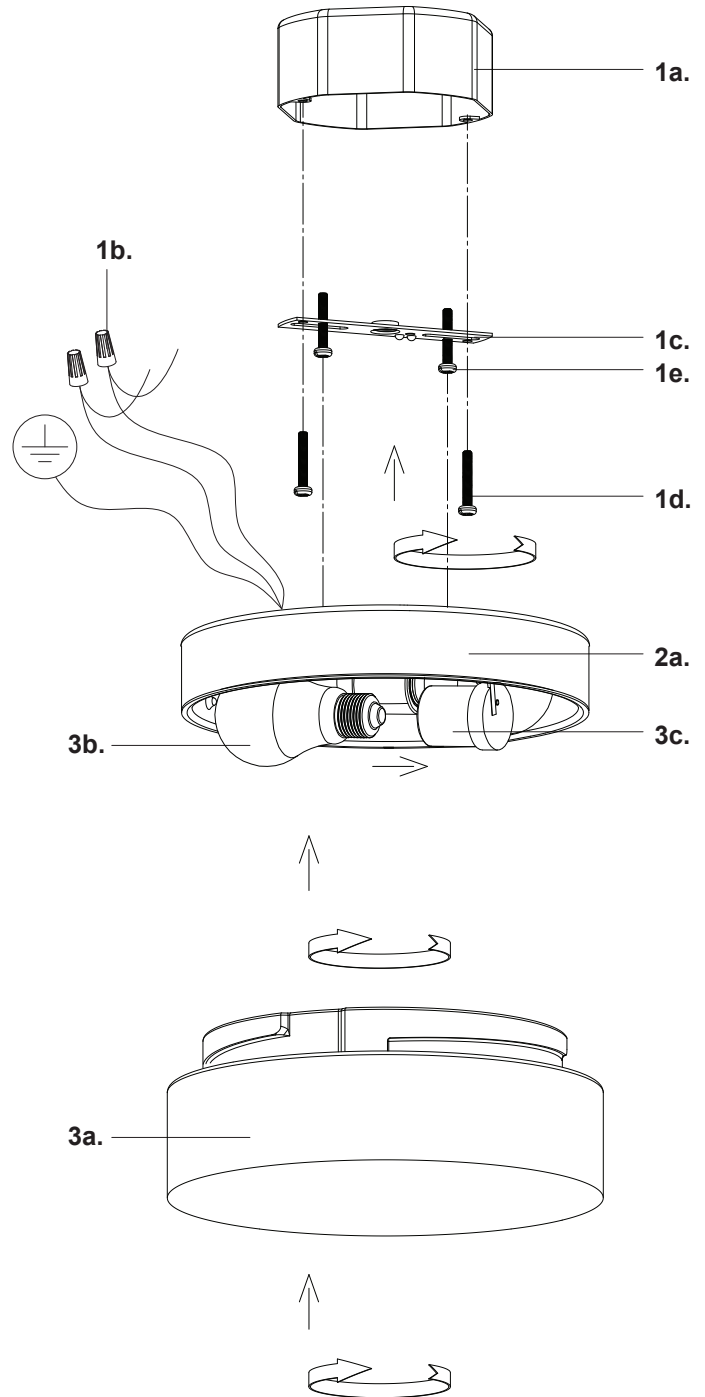
**52022**  
INSTALLATION SHEET

## START FROM HERE

- Make sure **POWER** is **COMPLETELY OFF** at the fuse box
- Have your fixture installed by a qualified licensed electrician
- Prepare everything in a clear area
- Wear gloves at all times during this installation
- Read instructions carefully before you start assembly
- Keep this installation sheet for future reference

**Technical Support:** 1-855-855-8926

- 1.** Remove fixture from its original package
- 2.** Separate mounting bar (**1c**) from canopy (**2a**) by removing screws (**1e**)
- 3.** Attach mounting bar (**1c**) to electrical junction box (**1a**) using screws provided (**1d**) in hardware package
- 4.** Make proper electrical connections (black to hot "L", white to neutral "N", ground to "GND") with wire nuts (**1b**) provided in hardware package
- 5.** Secure canopy (**2a**) to mounting bar (**1c**) with screws (**1e**)
- 6.** Insert lamp (**3b**) into lamp holder (**3c**)
- 7.** Install the glass cover (**3a**) by sliding the glass into the canopy and then turn the glass cover clockwise until it is firmly secured to the canopy (**2a**) (**do not overtighten**)



KUZCO

19054 28th Avenue Surrey, BC Canada V3Z 6M3  
T: 604 538 7162 TF: 1-855 85 KUZCO F: 604 538 7196  
W: kuzcolighting.com  
20200806