

Ceiling LED Pendant

401214

INSTALLATION SHEET

START FROM HERE

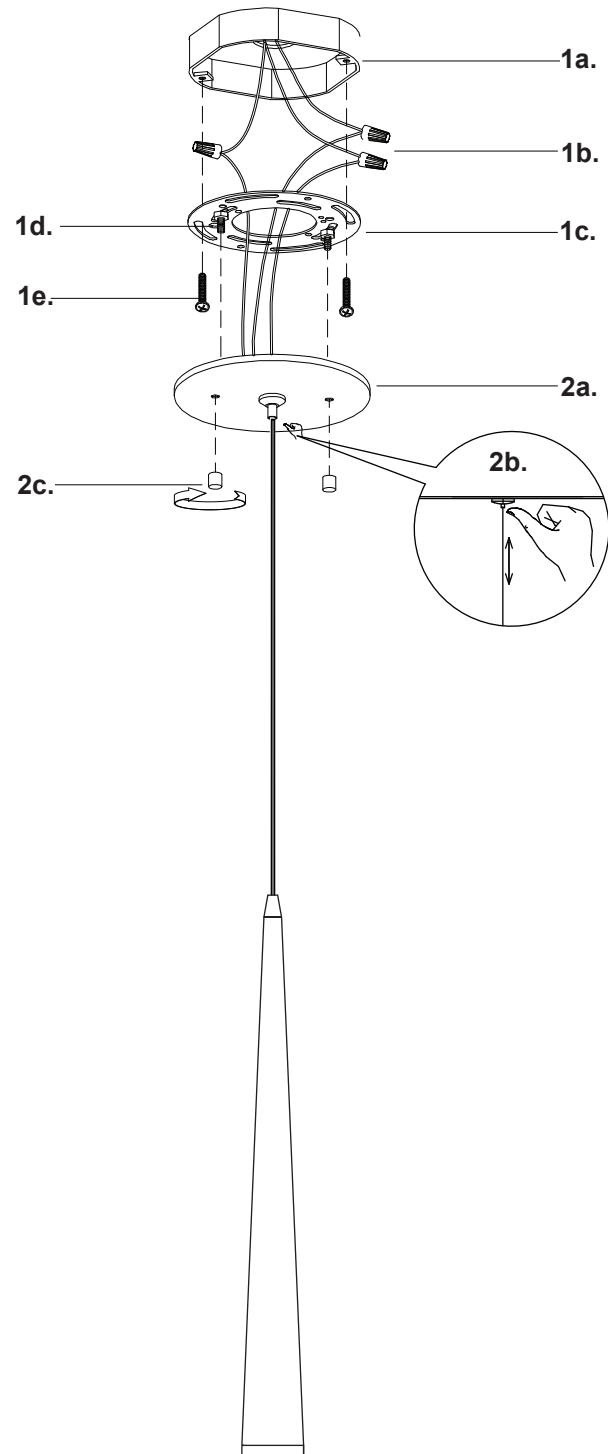
- Make sure power is completely off at the fuse box.
- Have your fixture installed by a qualified licensed electrician
- Prepare everything in a clear area.
- Wear gloves at all times during this installation.
- Read instructions carefully before you start assembly.
- Keep this instruction sheet for future reference.

Technical Support: 1-877-452-6858

Please Note:

- All Kuzco LED fixtures come with pre-wired LED module(s).
- Unless instructed to do so, please do not touch any part of the LED module(s) as any unnecessary contact with the module could cause permanent damage.
- For dimming, an ELV (Electronic Low Voltage) type of dimmer is required.

- 1.** Remove the fixture from its original packaging. Remove the mounting plate **(1c)** from within the canopy **(2a)** by removing the two decorative nuts **(2c)**. Secure the mounting plate **(1c)** to the junction box **(1a)** with the screws **(1e)** provided in the hardware package.
- 2.** Before you mount the canopy to the mounting plate select the desired length you wish the pendant to hang. To shorten or lengthen the fixture push up on the canopy nipples **(2b)** and push/pull the cable, release to secure.
- 3.** You are now ready to mount the canopy **(2a)** to the mounting plate **(1c)**. First connect all wires **(1b)** correctly L live wire (black to black) N neutral wire (white to white) and G ground to ground with provided marrets from the hardware package. Align the threaded screws **(1d)** hanging downward from the mounting plate to the holes inside the canopy **(2a)**. Push the canopy up towards the ceiling so the two screws point through the hole in the canopy **(2a)**. You can now screw on the decorative nuts **(2c)** onto the threaded studs **(1d)** pointing through the canopy and securely connect the canopy to the mounting plate **(1c)**.
- 4.** You have now completed the installation of your fixture, enjoy.



KUZCO

L I G H T I N G

19054 28th Avenue Surrey, BC Canada V3Z 6M3
T: 604 538 7162 TF: 1-855 85 KUZCO F: 604 538 7196
W: kuzcolighting.com
20160812