

**SAMPSON**  
**401207-LED**  
 PENDANTS

PROJECT



401207WH-LED  
 White



401207BK-LED  
 Black

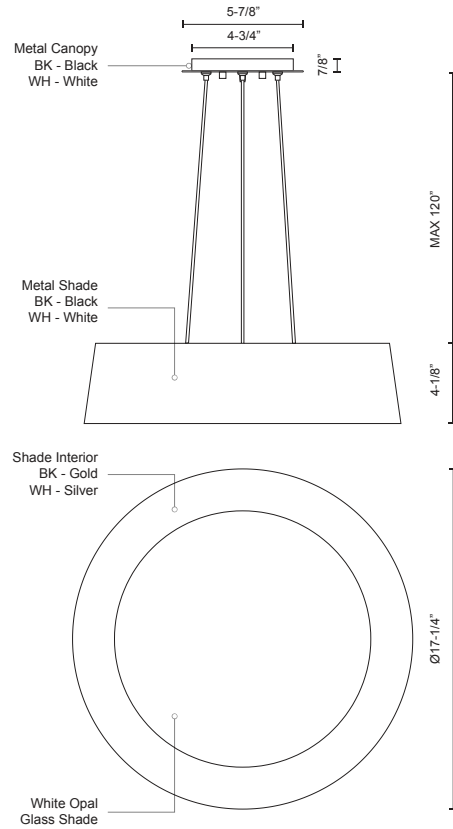
**SPECIFICATION DETAILS**

\* For custom options, consult factory for details.

<b>Fixture Dimensions</b>	D17-1/4" x H4-1/8"
<b>Light Source</b>	LED
<b>Wattage</b>	19W
<b>Total Lumens</b>	1600lm
<b>Delivered Lumens</b>	BK-957lm; WH-975lm;
<b>Voltage</b>	120V
<b>Color Temperature</b>	3000K
<b>CRI (Ra)</b>	>90
<b>Optional Color Temps</b>	2700K - 5000K Available, Minimum Order Quantities Apply
<b>LED Rated Life</b>	50,000 hours
<b>Dimming</b>	100% - 10%, ELV Dimmer (Not Included)
<b>Diffuser Details</b>	White Acrylic Diffuser
<b>Shade Details</b>	Spun Aluminum
<b>Adjustable</b>	Yes
<b>Wire Length</b>	120" Max
<b>Wire Type</b>	Clear SVT Cord
<b>Location</b>	Dry
<b>Warranty</b>	5 Years
<b>Canopy Dimensions</b>	D5-7/8" x H7/8"

**DESCRIPTION**

The Sampson pendant envelops a luminous opal dome that casts light down and outward, showcasing the metallic inner shade coating. Contrasting the powder-coated interior the substantial surfaces of the drum exterior are matte, emphasizing the visual impact of the lamp. Available in two curated color combinations, Black with Gold or White with Silver.



**KUZCO**

19054 28TH AVENUE  
 SURREY - BC V3Z 6M3  
 CANADA

WWW.KUZCOLIGHTING.COM

COMMENT

