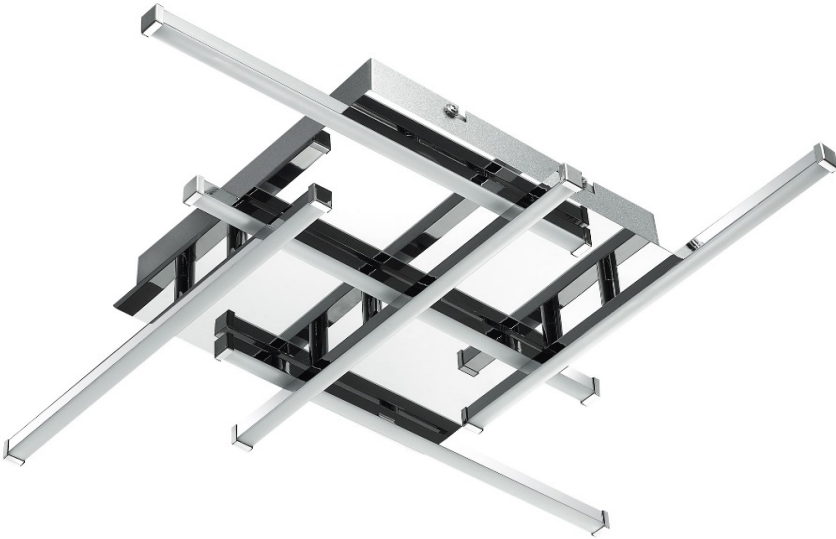


SUM-2020FH-PC - 6LT Flush Mount, Polished Chrome



6 Light LED Flush Mount, Polished Chrome Finish

Height	3.25	No. of Bulbs	6
Width/Length	20	LED Compatible	Integrated LED
Depth	20	Total Wattage	20
Weight	10		
Body Material	Stainless Steel		
Finish/Color	Polished Chrome	Second Finish/Color	White
Type of Finish	Electroplated		
Bulb 1 Amount	6	Rated For Voltage	Damp Location 120
Bulb 1 Base Type	LED		
Bulb 1 Max Watt.	3.3	Approval	cUL or equivalent
Bulb 1 Included	Yes	Warranty	5 Year Limited
Bulb 1 Lumens	1300	Instal Position	Ceiling
Bulb 1 CRI	80+		

Date:	Notes:
Fixture Type:	
Job Name:	



Lighting • LED • Shades • Custom Designs

TORONTO | BUFFALO | LIGHTFAIR | DALLAS MARKET CENTRE # 4303

www.dainolite.com |
 [1-888-564-1262](tel:1-888-564-1262) |
 dainolite@dainolite.com
[/dainolite](https://www.facebook.com/dainolite) |
 [/dainoliteld](https://twitter.com/dainoliteld) |
 [/dainolite](https://www.instagram.com/dainolite)