



Patent Product

High Bay Light Specifications

> 100W/150W/200W



130LM/W

100,000H



Introdction

- > Space series high bay is a patent product designed by famous Germany designer.
- > The heat sink is made of die-cast aluminum with powder coating.
- > Good heat dispation, light weight, and good anti-corrosion.
- > Lifespan can reach up to 100000Hrs, with lumen output remain 78.24%.

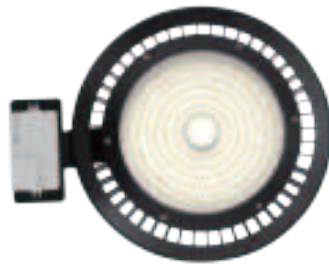
Product Features

> UGR is lower than 25 when the light is with lens.

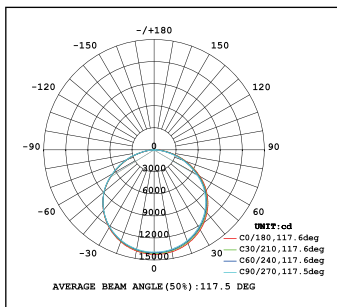
> Voltage is AC120-347V.

> 100W-200Watts can replace HID of 200-600watts.

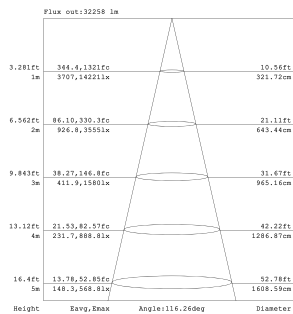
> 1-10V, DALI, microwave sensor, daylight sensor, zigbee, and etc. are optional.



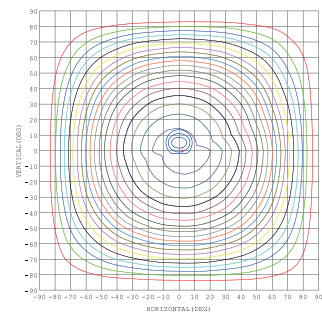
Luminaire photometric test report



Luminous intensity distribution diagram



Note: The Curves indicate the illuminated area and the average illumination when the luminaire is at different distance.



Conical surface Flux(120deg):
32900lm
%lum = 78.0%
%lamp = 78.0%

LED High Bay-HB03

HL-HB03-100W

Specifications

Electrical Data

Wattage	100W
Driver	POWSTAR
Input Voltage	AC120-347V
Power Frequency	50/60Hz
Power Factor	0.93
Total Harmonic Distortion	<15%

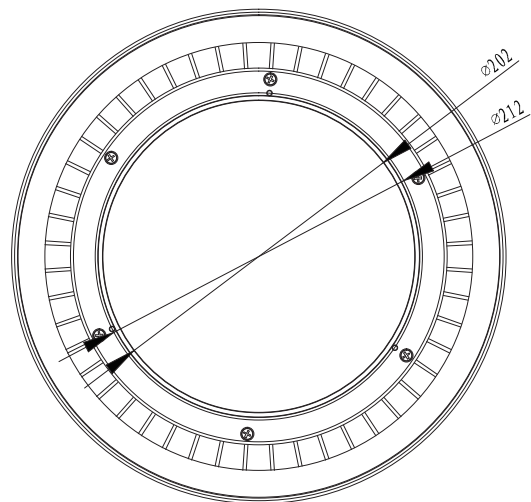
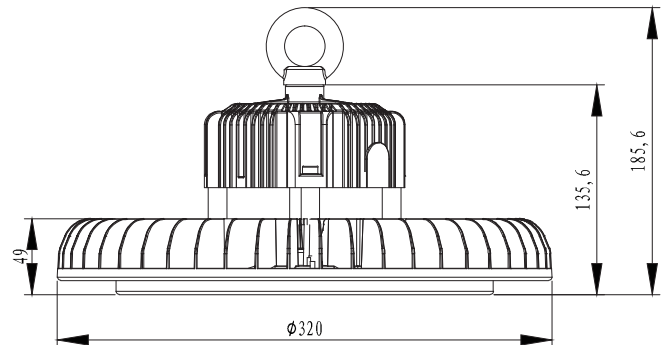
Optical Data

Lumen Version

LED Type	SEOUL
LED QTY	185pcs
Efficiency	130lm/W
Luminous Flux	13,000Lm
CCT	3000K/3500K/4000K/4500K/5000K/5700K
CRI	>80Ra
Beam Angle	120°

Others

IP	IP65
Lens Material	PC/Glass
Heat Radiator	die-cast aluminum
Lifetime	L70,>100000H
Operating Temperature	-30~+50℃
Net weight	3.1±0.5KG
Dimensions	Φ320*H135mm
Cartion size	340*340*190mm



LED High Bay-HB03

HL-HB03-150W

Specifications

Electrical Data

Wattage	150W
Driver	POWSTRA
Input Voltage	AC120-347V
Power Frequency	50/60Hz
Power Factor	0.93
Total Harmonic Distortion	<15%

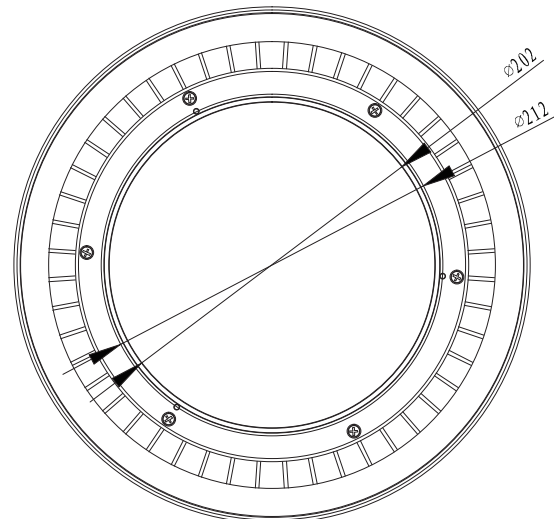
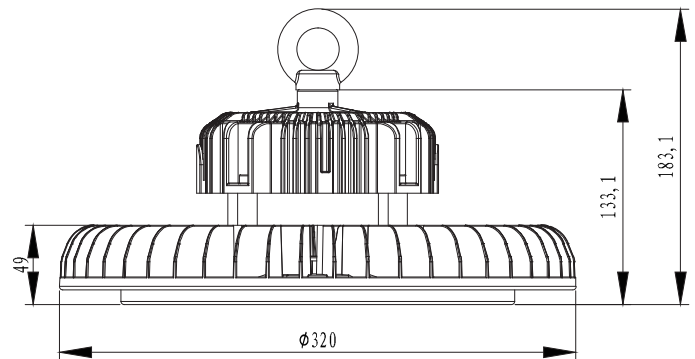
Optical Data

Lumen Version

LED Type	SEOUL
LED QTY	225pcs
Efficiency	130lm/W
Luminous Flux	19,500Lm
CCT	3000K/3500K/4000K/4500K/5000K/5700K
CRI	>80Ra
Beam Angle	120°

Others

IP	IP65
Lens Material	PC/Glass
Heat Radiator	die-cast aluminum
Lifetime	L70,>100000H
Operating Temperature	-30~+50 °C
Net weight	3.4±0.5KG
Dimensions	Φ320*H146mm
Cartion size	340*340*190mm



LED High Bay-HB03

HL-HB03-200W

Specifications

Electrical Data

Wattage	200W
Driver	POWSTAR
Input Voltage	AC120-347V
Power Frequency	50/60Hz
Power Factor	0.93
Total Harmonic Distortion	<15%

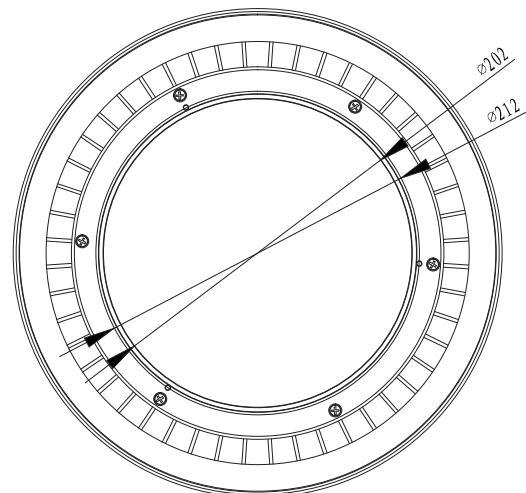
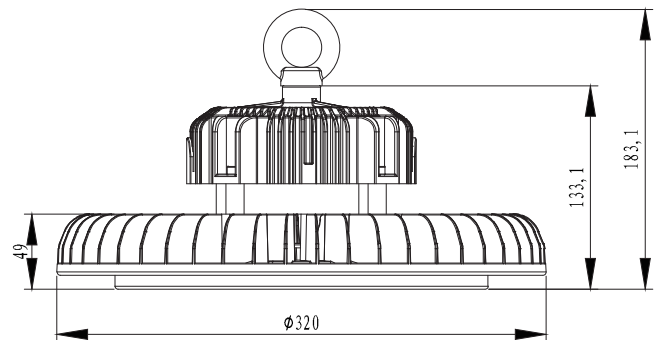
Optical Data

Lumen Version

LED Type	SEOUL
LED QTY	335pcs
Efficiency	135lm/W
Luminous Flux	28,000Lm
CCT	3000K/3500K/4000K/4500K/5000K/5700K
CRI	>80Ra
Beam Angle	120°

Others

IP	IP65
Lens Material	PC/Glass
Heat Radiator	die-cast aluminum
Lifetime	L70,>100000H
Operating Temperature	-30~+50 °C
Net weight	3.4±0.5KG
Dimensions	Φ320*H133mm
Cartion size	340*340*190mm



LED High Bay-HB03

HL-HB03-240W

Specifications

Electrical Data

Wattage	240W
Driver	POWSTAR
Input Voltage	AC120-347V
Power Frequency	50/60Hz
Power Factor	0.93
Total Harmonic Distortion	<15%

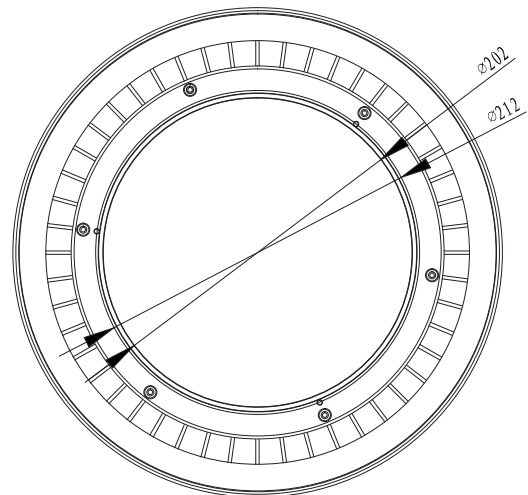
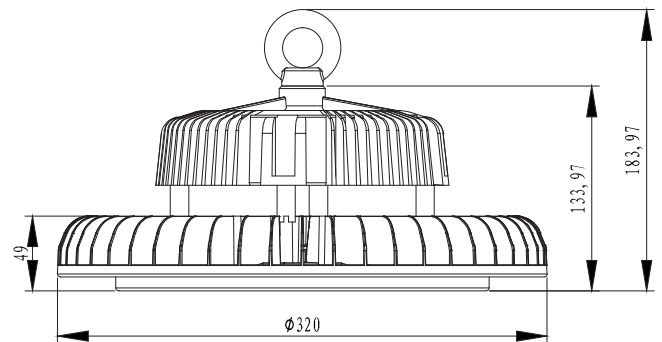
Optical Data

Lumen Version

LED Type	SEOUL
LED QTY	455pcs
Efficiency	135lm/W
Luminous Flux	28,000Lm
CCT	3000K/3500K/4000K/4500K/5000K/5700K
CRI	>80Ra
Beam Angle	120°

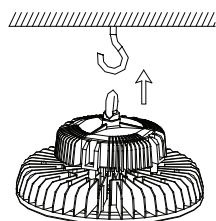
Others

IP	IP65
Lens Material	PC/Glass
Heat Radiator	die-cast aluminum
Lifetime	L70,>100000H
Operating Temperature	-30~+50 °C
Net weight	3.8±0.5KG
Dimensions	Φ320*H133mm
Cartion size	340*340*190mm

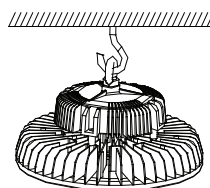


Installation(Optional)

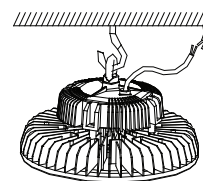
Method 1



Drilling a hole in the ceiling,install a hook.



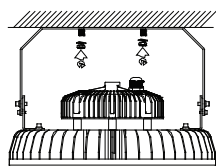
Hanging the fixture.



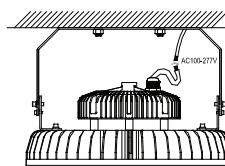
AC100-277V
All wiring finished inside the junction box.

Connect the cables. brown-L ,blue-N ,Yellow green-Ground take care of the waterproof processing.

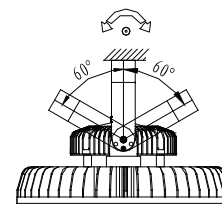
Method 2



Fix the bracket.

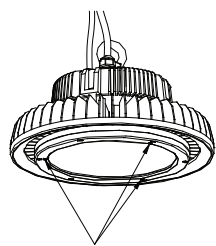


Connect the cables. brown-L ,blue-N ,Yellow green-Ground take care of the waterproof processing.

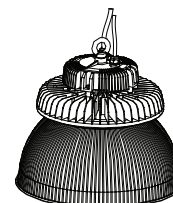
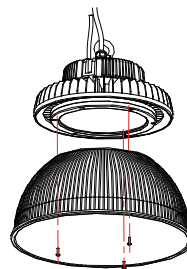


Adjust the bracket to the beam angle you need.

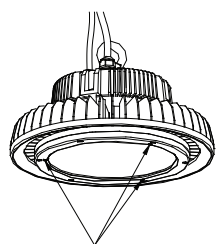
PC reflector Installation



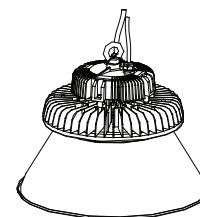
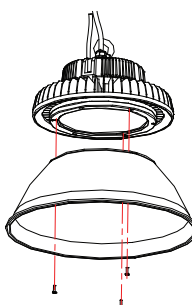
Installation Hold for PC Reflector



AL reflector Installation

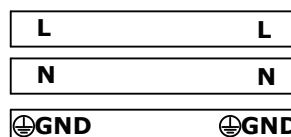
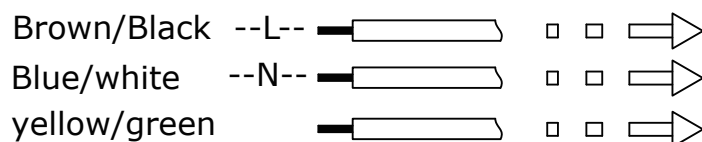


Installation Hold for Aluminum Reflector



Wiring Diagram

label





Warning

- To avoid damage, falling, electric shock or fire, please do not modify the lamp or replace accessories without confirming with the supplier first.
- Please authorize only qualified personnel to install the lamp and ensure they follow the instruction manual. Any improper installation might cause falling, electric shock, fire, or other injury, damage or hazard.
- Please disconnect power before installation or any maintenance of the lamp.
- Please disconnect power if it begins to smoke or emit odors, since fire or electric shock may occur. Ask qualified person to inspect and maintain the luminaire.
- Please do not dismantle the lamp without the supplier's authorization.
- Please do not touch the power supply when the lamp is operating.
- If the external flexible cable or cord of the luminaire is damaged, it should only be replaced by the supplier, a service agent or qualified person.

Warranty

- Five-year warranty. Free maintenance will be provided during the warranty period if the lamp suffers quality problems. The client is responsible for the costs and quality of lamp installation.
- During the warranty period, the client shall send the damaged goods or failed parts for inspection and repair by the supplier. The supplier shall then send the fixed or new parts back. The sending party shall bear any freight costs accordingly.
- Maintenance service will be provided once valid documents are presented.
- The following circumstances will not attract free maintenance:
 - a. Damage caused by human beings, including, but not limited to, damage from abnormal working conditions, improper usage, storage that does not conform to the instruction manual;
 - b. Dismantling or modification or improper maintenance or repairing of the products without the supplier's authorization;
 - c. NO valid documents;
 - d. Damages caused by user's improper delivery, or force majeure including, but not limited to, fire flood, thunder hit, earthquake.
- The vendor has the sole right to interpretation and amendment of the above articles.

IP65

PC/Glass

die-cast aluminum

L70,>100000H

-30~+50 °C

3.1±0.5KG

Φ320*H135mm

340*340*190mm