

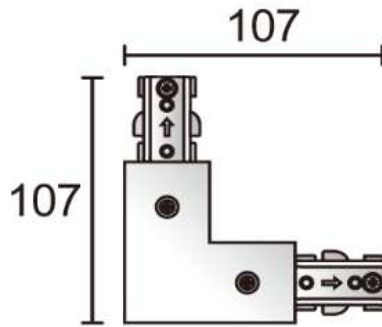
Datasheet | "L" conector



Photos are for reference only, in kind prevail

Product Code	PRO-0335-W
Color	White RAL 9010
Product Code	PRO-0335-S
Color	Silver RAL 7040
Product Code	PRO-0335-B
Color	Black RAL 9011
Main materials	Copper+Aluminum+Stainless steel
Net weight per piece	120 g
Inner box/Outer box	1/160 pcs
Rated voltage per circuit	220-250V/16A (EU) ,120V/20A (US)

Dimensions



ground wire shrapnel is optional, need cut the other side when use



16A