

LED STRIPLIGHT INSTALLATION INSTRUCTIONS



IMPORTANT - READ ALL INSTRUCTIONS BEFORE INSTALLATION

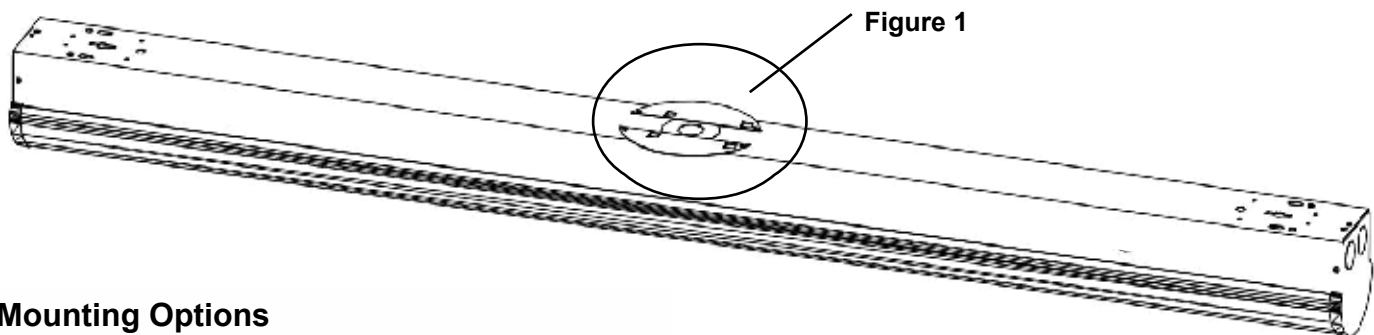
- Installation and maintenance must be performed by licensed electricians only.
- To avoid risk of electric shock, make sure to turn off main power switch prior to installation or maintenance.
- Must be installed in compliance with National Electrical Code (NEC) in the US or Canadian Electrical Code in Canada.
- Ensure input voltage and frequency are compatible with the fixture. Check product manual for power requirements prior to installation.

CAUTION

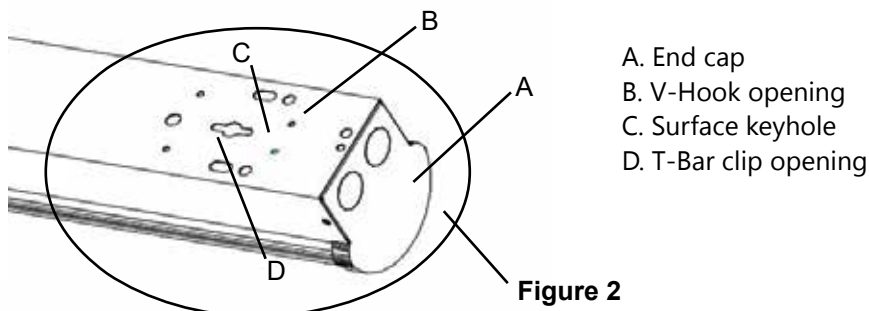
1. Before installation inspect luminaire for any exterior damages or other defects.
2. Before installation confirm luminaire is the correct rated voltage for application.
3. During installation do not damage luminaire with drill or external impact.
4. Do not expose luminaire directly to high heat.
5. Beware of shock when installing luminaire.
6. Do not install in areas where flooding may occur.
7. Do not clean or expose the luminaire to detergent, chemical cleaners or pesticides.
8. Upon completion of installation, ensure the luminaire is tight and secure.
9. Turn power off when disassembling.
10. Do not look directly into LED luminaire when lit.
11. Do not exchange components in luminaire.
12. Do not operate the fixture where ambient temperature is over 40°C or in confined spaces. This is a fire hazard.
13. Do not install luminaire in applications where high vibrations or external shock are present.
14. Do not install/operate luminaire in areas where salt content in the air and soil could cause the luminaire to corrode.
15. Do not install luminaire in areas where corrosive substances are present.
16. Do not install luminaire in areas where organic debris can accumulate on luminaire (example: fallen leaves, insects).
17. In the event of product failure resulting from negligence of above mentioned instructions, limited warranty will not be applicable.

SUITABLE FOR DRY OR DAMP LOCATION

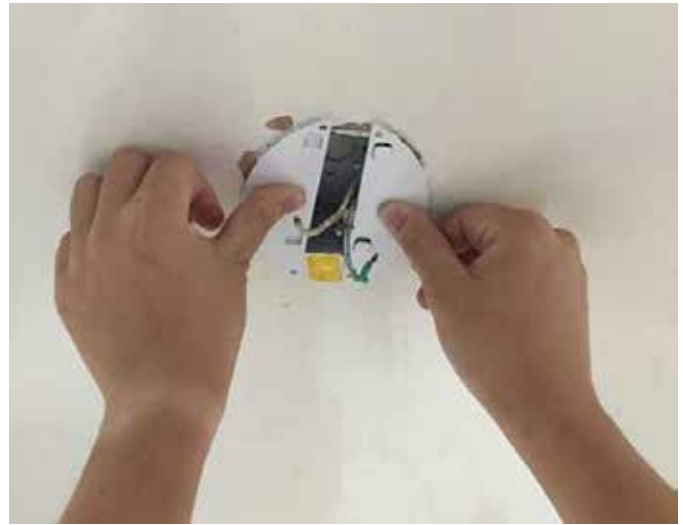
Model shown for reference only



Mounting Options



LED STRIPLIGHT INSTALLATION INSTRUCTIONS



INSTALLATION:

Turn off the power before installation

Chain Mounting with V hook

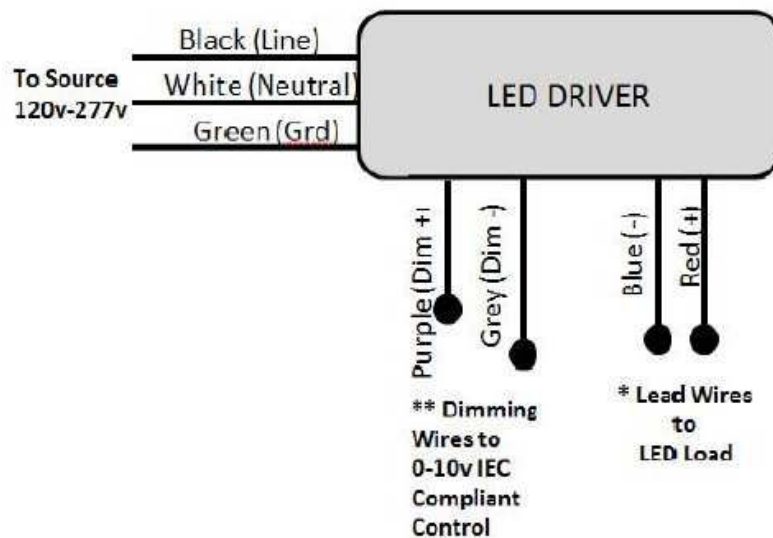
Attach V-Hooks in the dedicated opening (B) at each end of the luminaire as shown in figure 2, and hang the luminaire at the desired area.

Surface Mounting

Indicate the ceiling 2 marks to match the surface mounting holes (C). Drill two holes using the appropriate drill and insert the plastic anchors into the holes. Screw the mounting screws in the plastic anchors making sure to leave 2-3 mm between the screw head and the mounting surface. Align the keyholes of the strip light to the screw heads. Slide the light from one side to secure it safely. The light should be firmly attached to the screw.

T-Bar Clip Mounting Hole

Attach T-Bar clips to the designated opening (D) on the luminaire as shown in Figure 2. Bring luminaire into T-Bar ceiling grid and secure luminaire to grid.

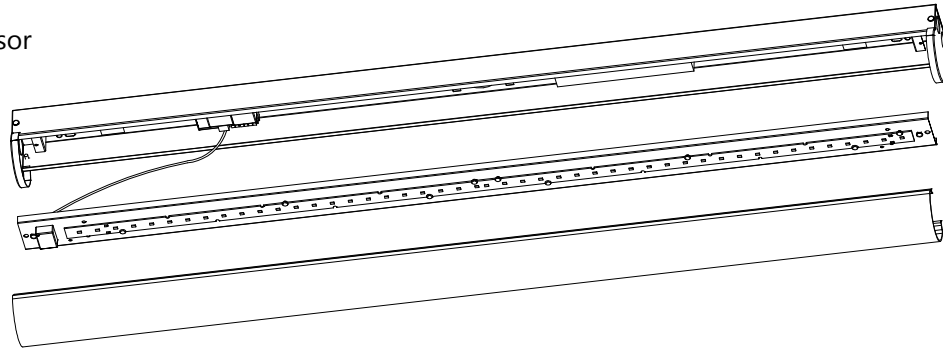


LED STRIPLIGHT INSTALLATION INSTRUCTIONS

STANDARD[®]

Additional Accessory

- Microwave Motion Sensor



Installation Steps :

1. Remove lens and unscrew driver cover. Bend knock out tabs found on end of driver cover. See fig.1
2. Take sensor and snap into knockout. See fig.2
3. Use cable to connect the sensor to the main interface. (For programming please refer to programming section found on page 4)
4. Put the plastic lens back in place and turn the power on. See fig.3

Figure 1

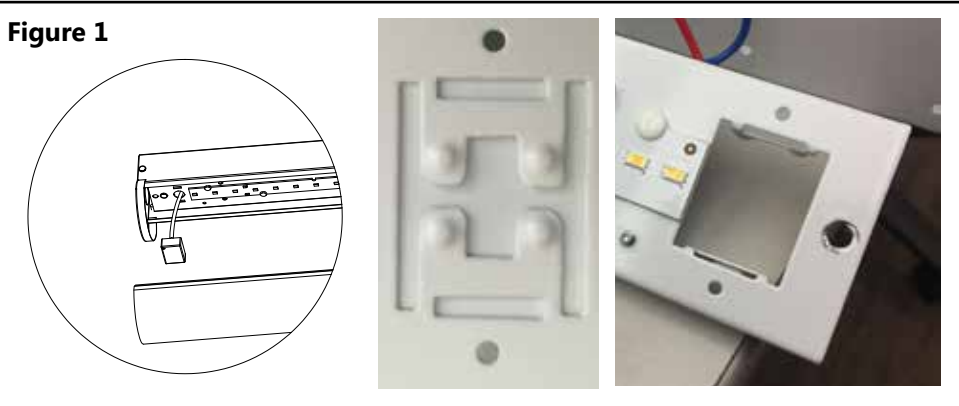


Figure 2



Figure 3



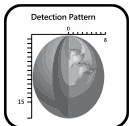
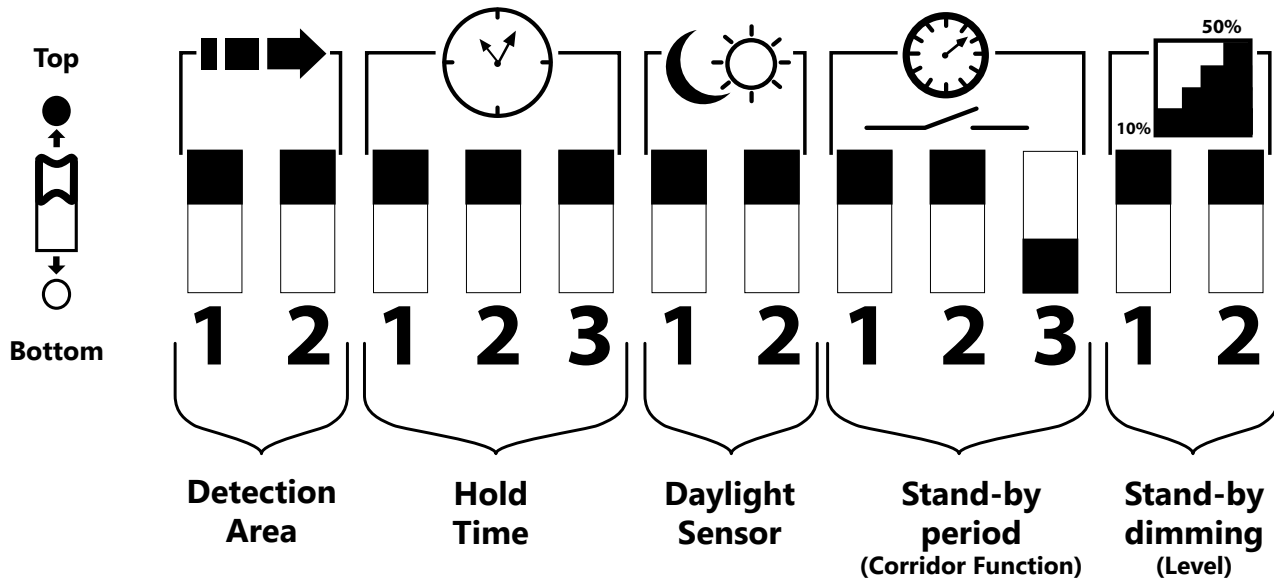
LED STRIPLIGHT INSTALLATION INSTRUCTIONS



Programming Settings

Default programming

- Detection area: 100%
- Hold-time: 5s
- Daylight sensor: Disable
- Stand-by period (corridor function): 10s
- Stand-by dimming level: 10%



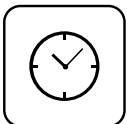
DETECTION AREA

The detection area can be reduced by selecting the combination on the DIP switches to fit precisely each specific application.

Options: 100% - 75% - 50% - 10%

	1	2	
I	●	●	100%
II	●	○	75%
III	○	●	50%
IV	○	○	10%

- I - 100%
- II - 75%
- III - 50%
- IV - 10%



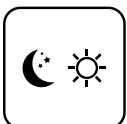
HOLD-TIME

Hold-time means the time period required to maintain the light at 100% after all motion has ceased (the detection area has been vacated).

Options: 5s - 30s - 1 min - 5 min - 10 min - 20 min - 30 min

	1	2	3	
I	●	●	●	5s
II	●	●	○	30s
III	●	○	●	1min
IV	●	○	○	5min
V	○	●	●	10min
VI	○	●	○	20min
VII	○	○	●	30min

- I - 5s
- II - 30s
- III - 1min
- IV - 5min
- V - 10min
- VI - 20min
- VII - 30min



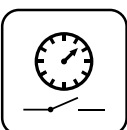
DAYLIGHT SENSOR

The daylight threshold can be set on DIP switches to fit a particular application.

Options: Disable - 50 lux, - 10 lux, - 2 lux

	1	2	
I	●	●	Disable
II	●	○	50Lux
III	○	●	10Lux
IV	○	○	2Lux

- I - Disable
- II - 50Lux
- III - 10Lux
- IV - 2Lux



STAND-BY PERIOD (CORRIDOR FUNCTION)

This is the time period to maintain light output at the lowest level before the luminaire completely switched off in case there is no motion activity for a long period of time.

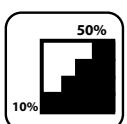
Note: "0s" means on/off control;

" +∞ means bi-level dimming control, fixture never switches off when daylight sensor is disabled.

Options: 0s - 10s - 1 min - 5 min - 10 min - 30 min - 1 H - +∞

	1	2	3	
I	●	●	●	0s
II	●	●	○	10s
III	●	○	●	1min
IV	●	○	○	5min
V	○	●	●	10min
VI	○	●	○	30min
VII	○	○	●	1H
VIII	○	○	○	+∞

- I - 0s
- II - 10s
- III - 1min
- IV - 5min
- V - 10min
- VI - 30min
- VII - 1H
- VIII - +∞



STAND-BY DIMMING LEVEL

This is the dimmed low light output level you would like to reach after the hold-time in the absence of people.

Options: 10% - 20% - 30% - 50%

	1	2	
I	●	●	10%
II	●	○	20%
III	○	●	30%
IV	○	○	50%

- I - 10%
- II - 20%
- III - 30%
- IV - 50%