

Date: _____
 In hands date of project: _____
 Project name/Number: _____
 Name of distributor: _____
 Client #: _____
 Name of end user: _____



ORDERING INFORMATION

Order code: 65457
 Description: LED/CL8/EDGELIT/14W/40K/FM/RND/WH/STD
 UPC: 69549654570
 Case quantity: 1/20
 Luminaire description: Round LED Edge Lit Ceiling Luminaire

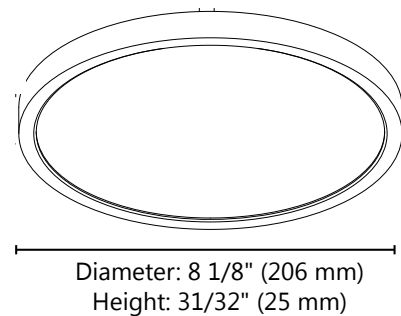
FEATURES AND SPECIFICATIONS

Lens type: Frosted Polycarbonate
 Trim finish: White

FIXTURE PERFORMANCE

Wattage (W): 14
 Colour temperature (K): 4 000
 CRI: >80
 Average life (hrs): 50 000
 Lumens: 1 118
 Efficacy (LPW): 80
 Voltage (V): 120
 Frequency (Hz): 60
 Power factor: 0.95
 Mounting: Surface Mount/Flush-mount
 Dimmer type: Forward-Reverse phase

TECHNICAL DRAWING



TOTAL HARMONIC DISTORTION (THD)

<15%

AMBIENT OPERATING TEMPERATURES

- 20 °C / - 4 °F to 50 °C / 122 °F



CAN ICES-005 (B)
 This lighting equipment complies with Canadian standard ICES-005 for use in residential applications.

COMPATIBLE DIMMER LIST

Legrand HCL453P
 Cooper AAL06, SLC03P
 Leviton 6615, 6674, DSL06-1LZ, DSM10-1LZ, IPE04-1LZ, IPL06
 Lutron AYCL-253P, CTCL-153P, DVCL-153P, DVCL-253P, DVELV-300P, MACL-153P, NTELV-600, PD-6WCL, SELV-300P

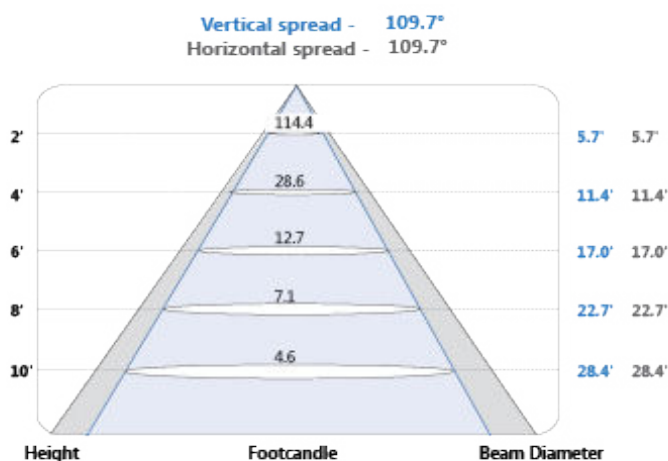
For a complete list of ENERGY STAR qualified products, please visit www.standardpro.com
 The attached data is provided to assist users in making lighting decisions based on various assumptions, factors and methods. Resources and efforts have been put in place to account for the data and the development of this tool however STANDARD does not warrant or guarantee that the results obtained will be accurate under actual use conditions. A lighting layout is recommend to ensure the proper light levels are attained to satisfy the demand of the application.
 Data is based upon tests performed in a controlled environment and representative of relative performance.
 Actual performance can vary depending on operating conditions. Specifications are subject to change without notice.



ORDERING INFORMATION

Order code: 65457
 Description: LED/CL8/EDGELIT/14W/40K/FM/RND/WH/STD
 UPC: 69549654570
 Case quantity: 1/20
 Luminaire description: Round LED Edge Lit Ceiling Luminaire

PHOTOMETRICS - BEAM SPREAD*



* complete IES files available on our website.

WARNINGS

- Installation and maintenance must be performed by licensed electricians only.
- To avoid risk of electric shock, make sure to turn off main power switch prior to installation or maintenance.
- Must be installed in compliance with Canadian Electrical Code in Canada or National Electrical Code (NEC) in the US.
- Make sure input voltage and frequency are compatible with the fixture. Check installation guide for power requirements prior to installation.

Qty	Description	Price

I accept the specifications of the luminaire configuration mentioned above.

Name: _____

Company: _____

Signature: _____

Date: _____

The attached data is provided to assist users in making lighting decisions based on various assumptions, factors and methods. Resources and efforts have been put in place to account for the data and the development of this tool however STANDARD does not warrant or guarantee that the results obtained will be accurate under actual use conditions. A lighting layout is recommend to ensure the proper light levels are attained to satisfy the demand of the application. Data is based upon tests performed in a controlled environment and representative of relative performance. Actual performance can vary depending on operating conditions. Specifications are subject to change without notice.

