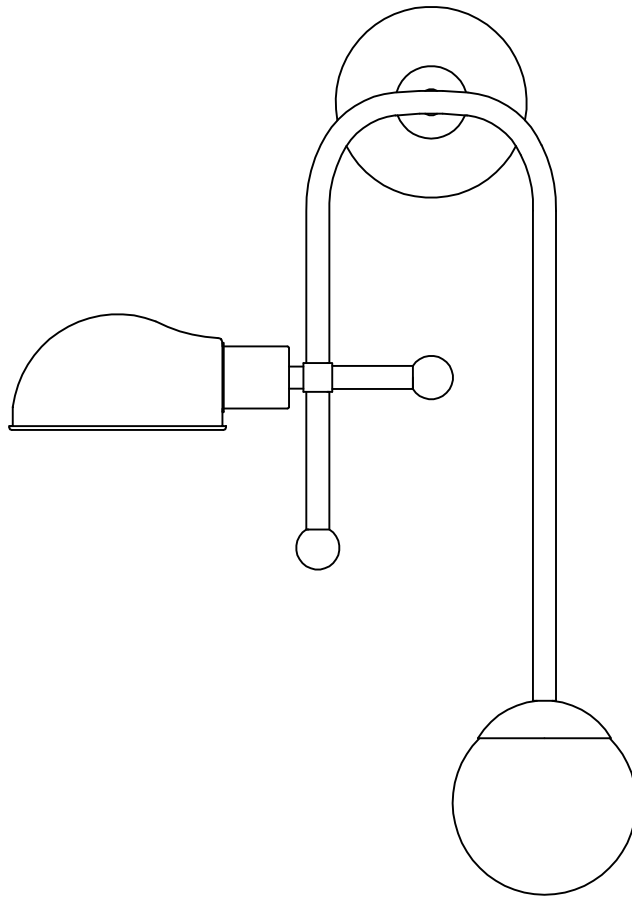


PRODUCT NAME: Mingle 2-Light Wall Sconce
ITEM NUMBER: 21662

Please consult a qualified electrician for hanging fixture and wiring.

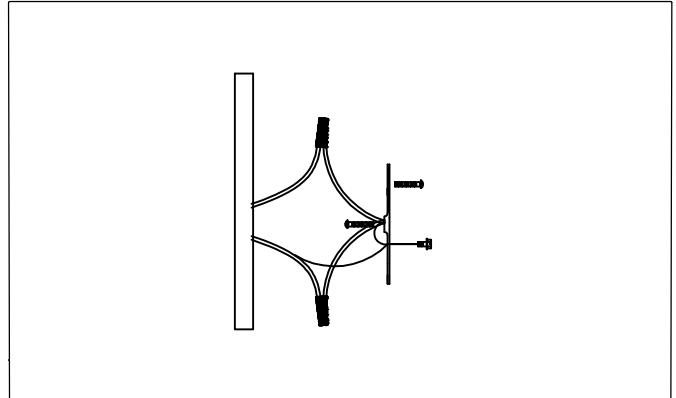
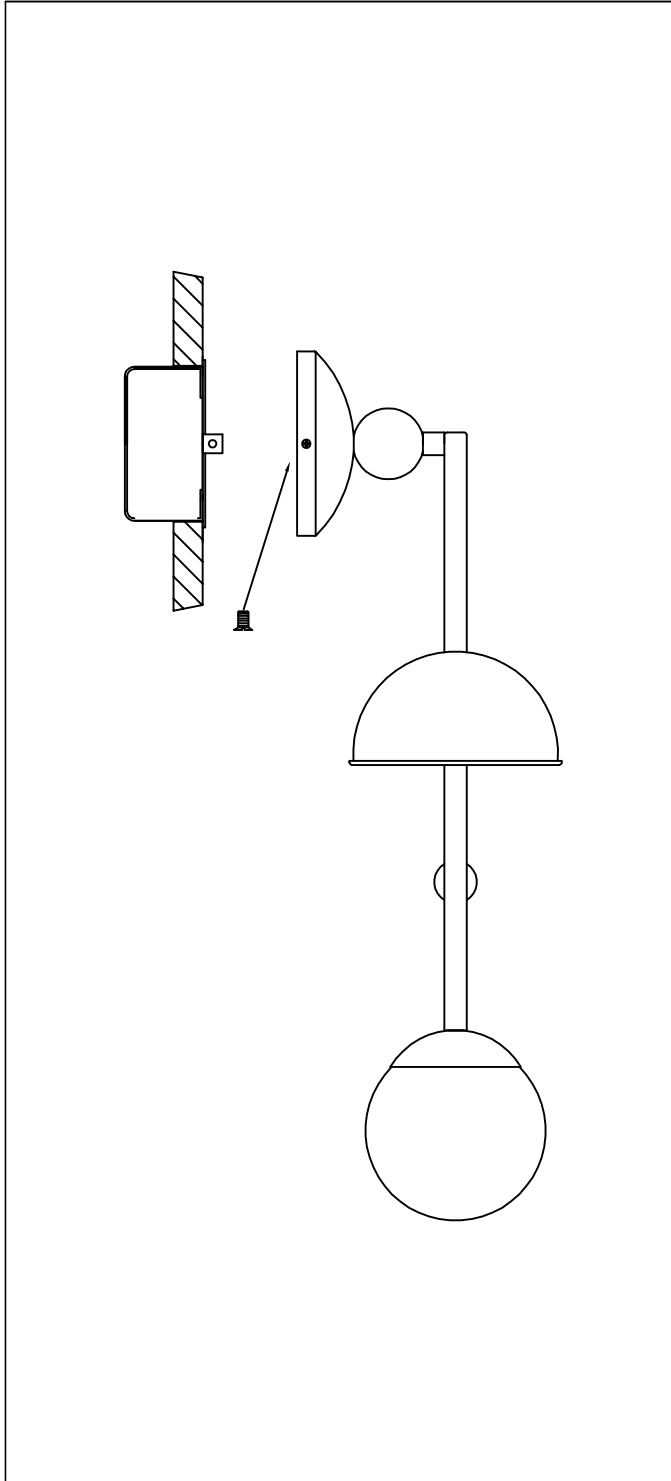


Bulb (included): 1*4W G9*LED Bulb + 1*9W E26*LED Bulb

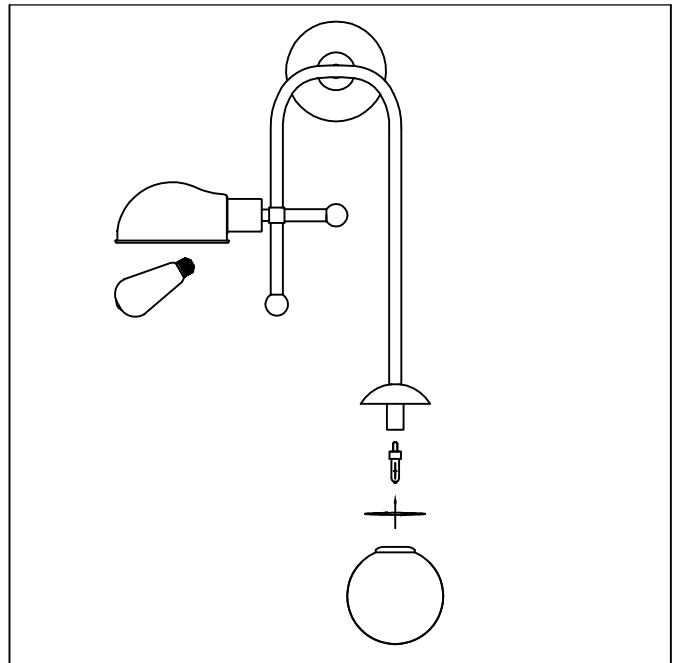
Bulb (Max wattage): 1*25W G9 Bulb + 1*40W E26 Bulb

IMPORTANT: Turn off the power at the main fuse or circuit breaker box before starting installation

Locate all hardware & components before discarding packaging



1. Remove mounting bracket from fixture and install to electrical box. Then wire fixture to wires in outlet box. Copper wire is for Ground.



2. Install LED G9 and LED E26 included.
3. Thread glass onto cup.

Cleaning & Care:
Clean with soft cloth and a mild detergent.
Do not use abrasive cleaner