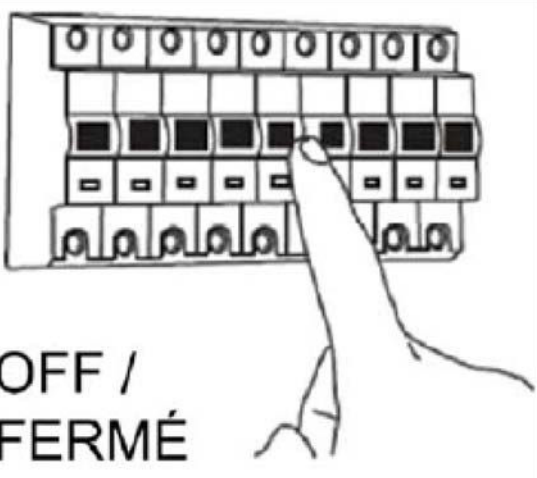
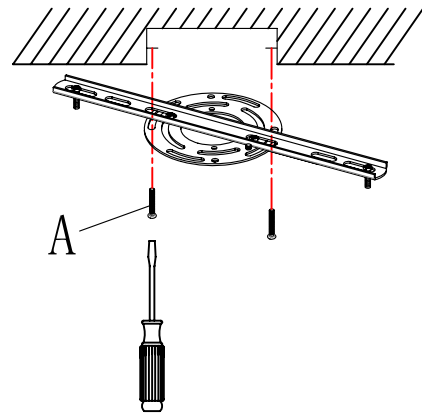


# MODEL ARC-123FH

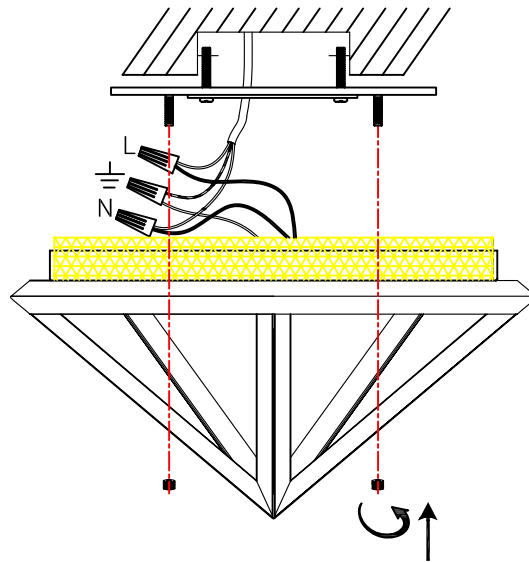
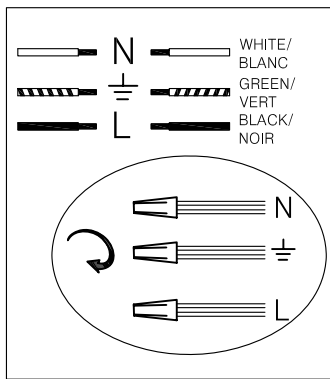
①



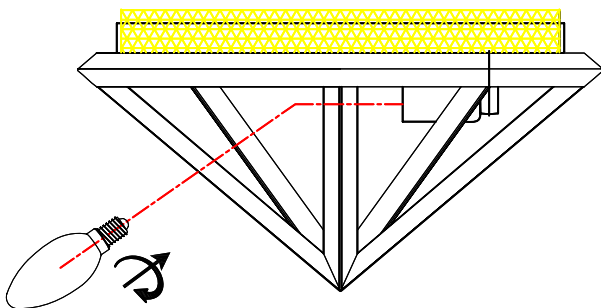
②



③



④



3\*60W MAX E12  
NOT INCLUDED/NOT INCLUS

