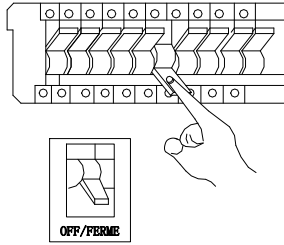


# Dainolite



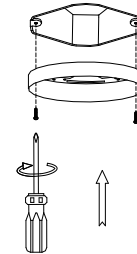
# ALT-278C

OFF/FERME

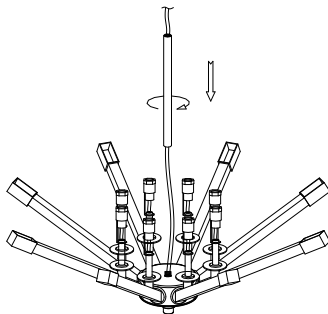


1

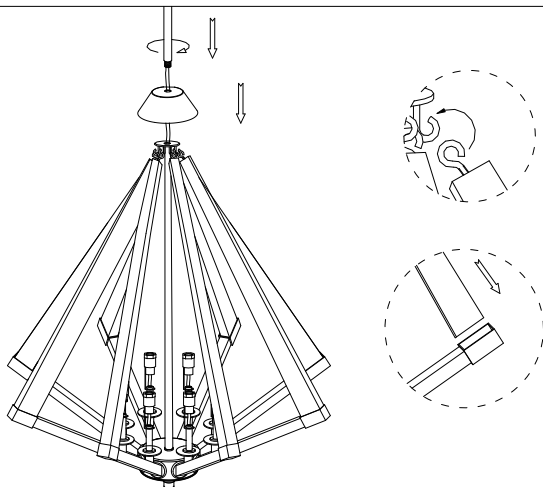
5



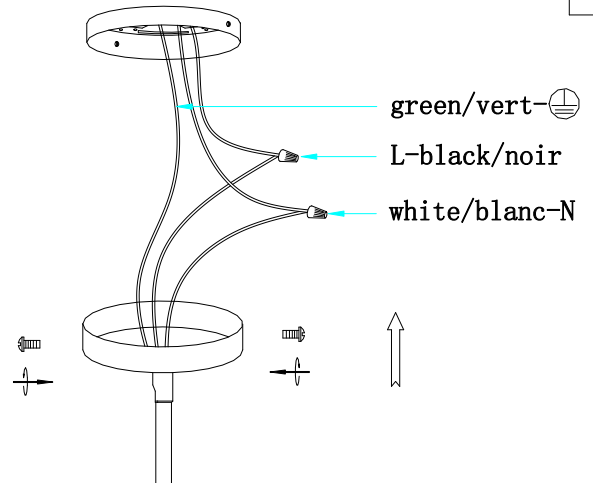
2



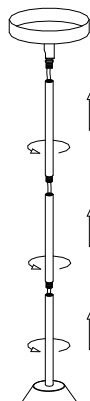
3



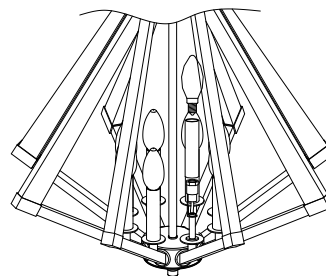
6



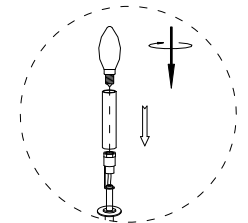
4



7



8XE12 60W MAX  
Not included/  
pas inclus



1401 Courtneypark Dr. E Mississauga, Ontario, Canada L5T 2E4

Tel. (905) 564-1262

Fax. (905) 564-1299

E-mail: dainolite@dainolite.ca

Web: www.dainolite.ca

Apr 8, 2016