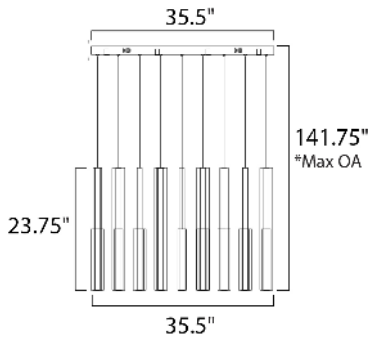




PRODUCT DESCRIPTION

Elongated metal tubes in a variety of finishes from Rose Gold to Polished Chrome suspend from pans to create impressive sculptural statements. Each tube encase a replaceable integrated LED module while many of the ceiling pans house additional LED spots to highlight the beautiful high gloss finishes as well as additional down light.



*max overall height

MEASUREMENTS

- DIMENSION : 35.5" L x 35.5" W x 23.75" H
- BACK PLATE OAH : 141.75" OAH x 25.25" OAH
- CANOPY : 12." W x 1.75" H x 35.5" L
- HANGING WEIGHT : 50.11 lb

LAMPING

- LUMENS : 8,330 Rated
- BULB : 35 x (INTEGRATED), 119W Total
- DIMMABLE : Dimmable
- CRI : 90+ CRI
- COLOR_TEMP : 3000K

FINISHES OPTION

Multiple Pendant Light MPLT

MATERIAL

Stainless Steel

CERTIFICATION

Dry Location
Dimmable



ADDITIONAL

ADJUSTABLE
INSTALL UP/DOWN:
OPERATING TEMPERATURE:
-20°C (-4°F), 40°C (104°F)

Always consult a qualified electrician before installing any lighting product.



WESTERN DISTRIBUTION CENTER (HEADQUARTER)
253 NORTH VINELAND AVE | CITY OF INDUSTRY, CA 91746
EASTERN DISTRIBUTION CENTER
4200 SHIRLEY DR. | ATLANTA, GA 30336
P. 626.956.4200 | F. 626.956.4225 | et2online.com