

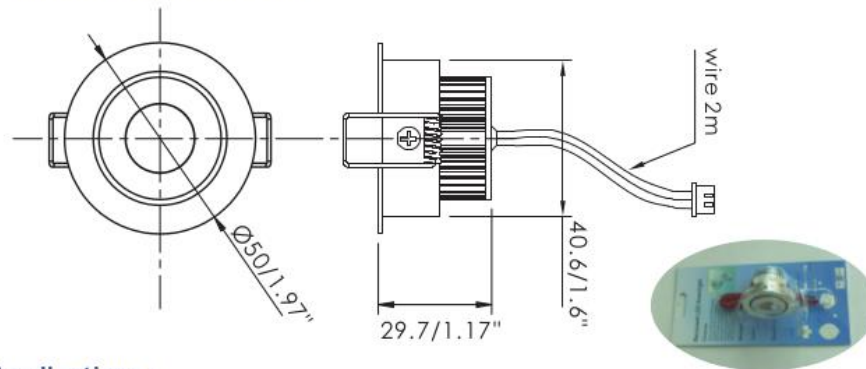
LED Downlight DLR-C3W

Features:

- Unique structure design ensure the best lighting effect;
- Excellent energy-saving performance;
- No UV, no infrared radiation;
- Accurate chromatic aberration control system, make sure the persistence of lighting color;
- Strong and durable aluminum shell, excellent heat dissipation structure;
- High effect PMMA lens, provide unique and comfort lighting effect;
- Constant current drive system, provide the protection to circuit and keep the lumen maintenance.
- 3 years warranty.



Dimensions(unit:mm/inch):



Applications:

Widely used in hotel, showroom, shopping mall, gym, indoor parking lot, corridor, event, club, family lighting and other indoor lighting, etc.



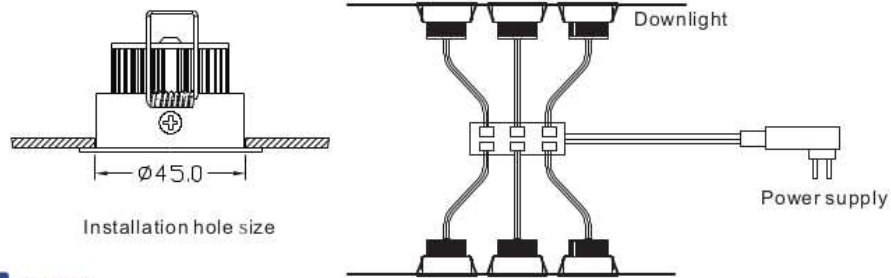
Specification:

Model Number	Color	LED Type	LED Quantity	Beam Angle (degrees)	Lumen (lm)	Voltage (V)	Power Consumption (W)
SCDLR-C3W-30-W	White	Cree/Epistar	1	30°/45°	160	12V DC	3
SCDLR-C3W-30-WW	Warm White				140		
SCDLR-C3W-30-NW	Natural White				150		
SCDLR-C3W-45W	White	Cree/Epistar	1	30°/45°	160	12V DC	3
SCDLR-C3W-45WW	Warm White				140		
SCDLR-C3W-45NW	Natural White				150		

Absolute Maximum Rating:

Parameter	Rating	Unit
Aluminum Heat sink Temperature	66	°C
Operating Temperature	-20 - 40	°C
Storage Temperature	-20 - 80	°C
Equilibrium Temperature	58	°C

Installation drawing:



! Notice

- 1.Power must be cut off before installation, fix it on the position of installation holes, connection of the power supply must be sealed.
- 2.Please read the specification first, to make sure the service environment matches the condition in the specification before using.
- 3.Operation against rules may damage your property even harm to your personal safety.
- 4.Preliminarily estimate required quantity of LED lights, then according to the power rating of single light to figure out the total power and design power supply plan.
- 5.Only for indoor installation and keep the environment dry.
- 6.Can not be installed on the pipe or tube.
- 7.If the exterior flexible cable or wire is damaged, it must exchange by the supplier, its agent or other similar qualified personnels to avoid dangers.